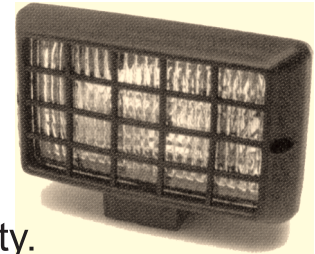
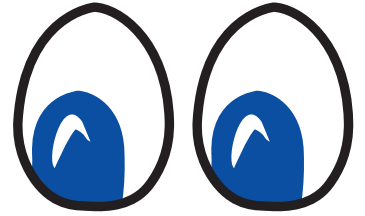


See What You're Missing !

Tandem Lighter

TRUCK-TRAILER CORNERING LIGHT



Lights REAR trailer wheels for added visibility.



NO WIRING modifications required for tractor OR trailer.



Illuminates ONLY when running lights are on AND turn signal is activated.



High output 55 watt Halogen lamp.



Built-in rock guard protects glass lens

Lights up
lane
changes

Lights up
when
cornering

The Tandem Lighter is easy to install. It simply mounts under the trailer behind the rear tandem. There are only three wires to connect to the trailer tail light.

The Tandem Lighter will increase visibility for the driver. Increased visibility could mean less collision damage to the truck or trailer.

CALL TOLL FREE
800-535-8105

Lari-Jo Inc.

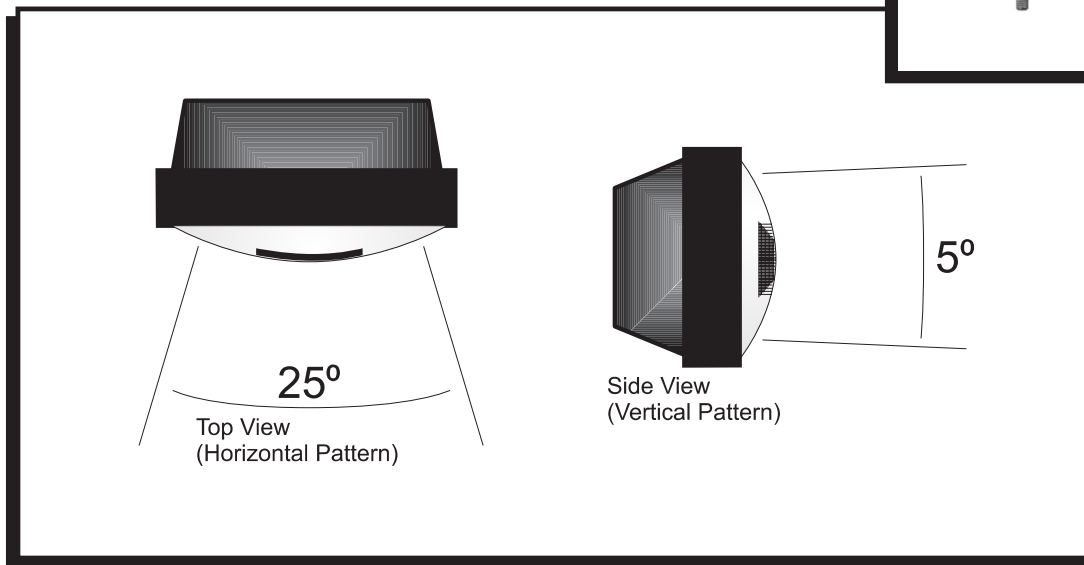
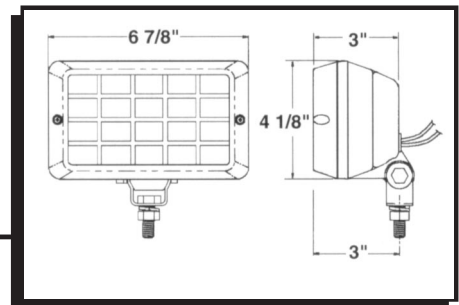
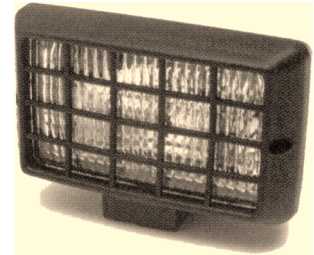
Web site: www.lari-jo.com E-mail: rap@lari-jo.com

611 Hall Street - Warren, Ohio 44483
Phone: 330-392-6800 Fax: 330-393-9301

Tandem Lighter Specifications

Specifications subject to change without notice

U.S. Patent No.: 5,682,138
Input Voltage: 12-13.8 VDC Neg. Ground
Current Drain: Standby: 0.0
Operating: 4.2 Amps
Trigger: 4 mAmps
Temperature Range: 0° - 114° Fahrenheit
Lamp Type: Halogen
Lamp Wattage: 55 Watt
Lamp Number: DF1C-H3; 55W; 12V
Housing Material: High Impact Molded Plastic
Wire Lead: 4.2 Feet - 18 Gauge
Weight: 1.6 Pounds
Dimensions: 6.875" x 3" x 4.125"
Light Pattern: Horizontal 25°
Vertical 5°



Manufactured By:

Lari-Jo Inc.

Web site: www.lari-jo.com

E-mail: rap@lari-jo.com

611 Hall Street - Warren , Ohio 44483
Phone:330-392-6800 Fax:330-393-9301

Your nearest dealer is: